

Column LAMA CORIAN BASE & PLUS

Technical data sheet



LEGENDA:

- A-B = Hot and cold attacks area.
- A - Cold water connection 1/2" F *.
- B - Hot water connection 1/2" F *.

	Operating pressure:
	- MIN 150 kPa (1,5 bar)
	- MAX 300 kPa (3,0 bar)
	Hot water temperature:
	- MAX 60°C (140°F)

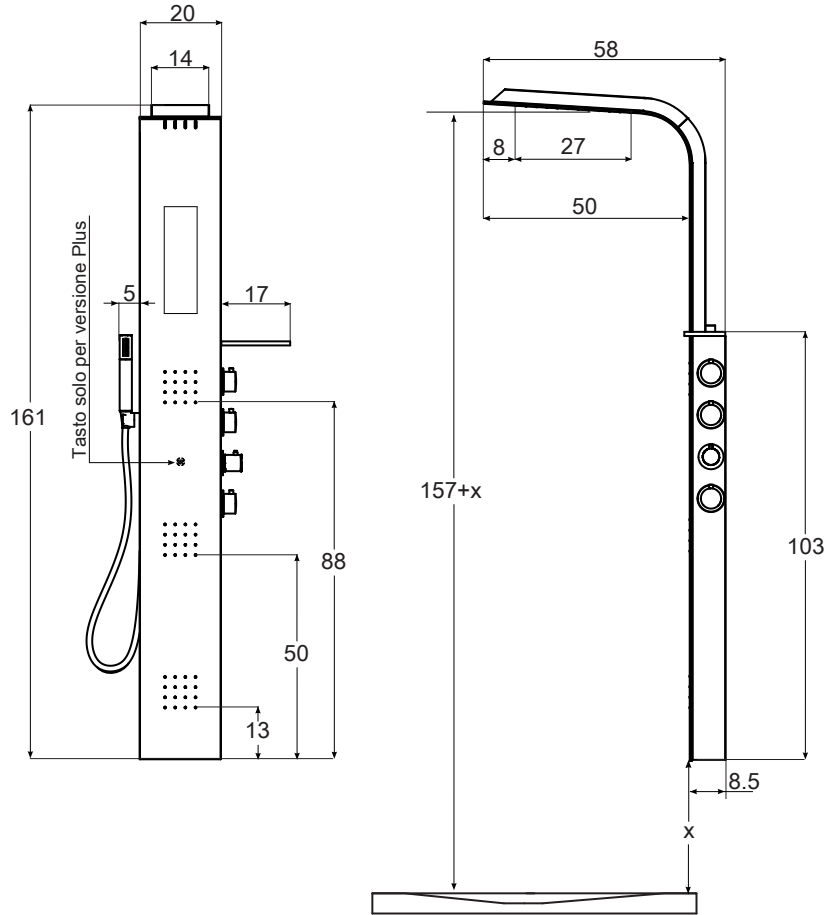
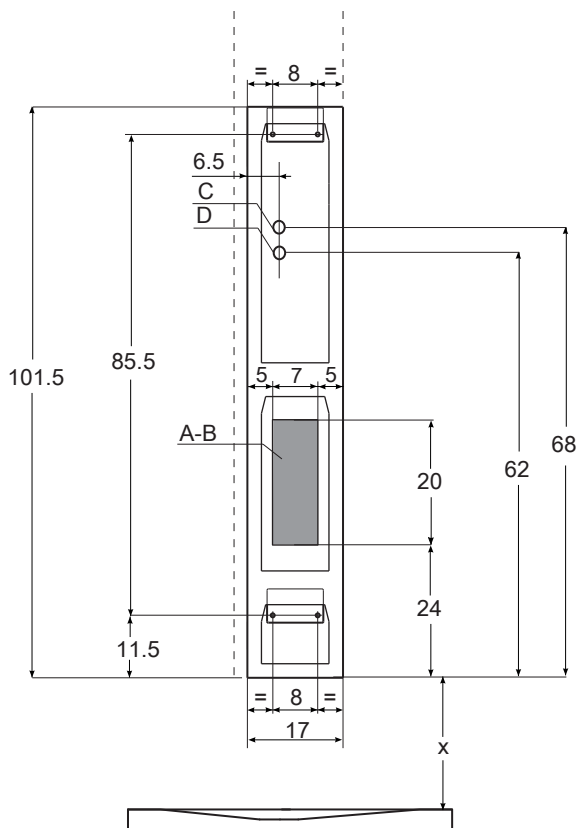
- C - Equipotential output.
- D - Power cable outlet (12 Vac - 20 V.A.)
Only for version Plus.
- X - Height from the shower tray
(To be calculated based on height of the user)

* The height above ground for the connection of the hot and cold water varies with the height from the shower tray.

CAUTION:

- Provide a protective divider wall so that the whirlpool jets do not leak into the room.
- The overall dimensions are given in centimetres.
- Actual dimensions can vary by ± 0.5 cm.

MEASURES FOR POSITIONING THE BRACKETS



CAUTION:

- The transformer **MUST** be SELV-equivalent, with relative double insulation and maximum secondary voltage of 12 Vac. Do not use electronic transformers. The transformer must not be placed inside the column or shower.
- The product must be connected to the building's equipotential system in compliance with applicable regulations in the country of use.
- Installation must be carried out by qualified personnel.
- Is recommended to stop the power line of the column with an external switch

INSTALLATION:

- Installation must be done on the floor once walls are finished and shower tray installed.
- Do not have pipes passing where fixing holes have to be made.
- L 'height of the shower head and the shower head vary with the height of the positioning of the column equipped

SISTEM	Electrical specificatio			Hydraulic characteristics			Dimension		Overall Dimensions				
	Volt	VA	Hz	Water consumption	Pressure exercises	Link H/C Water	Width	Height	Pack dimension			Weight	
									Lengh	Width	Height	Net	Gros
BASE	---	---	---	15 l/min	1,5/3,0	1/2"	20	161	174	36	66	14	17
PLUS	12 Vac	20	50	15 l/min	1,5/3,0	1/2"	20	161	174	36	66	14	17

If the water pressure is higher than indicated, install pressure reducers.
Provide shut-off cocks out of the dimensions of the product for hot and cold water closing.

NOTICE : If the conditions indicated should not be observed, even partially, the safety of the column may be compromised: therefore both the guarantee, and the responsibility of the manufacturer for any direct or indirect damage caused by the product are forfeit.
The lapse of the guarantee, in the hypothesis indicated above, will have as a result the replacement of the parts which are recognized as being defective, without covering labor costs necessary for the removal of the product.